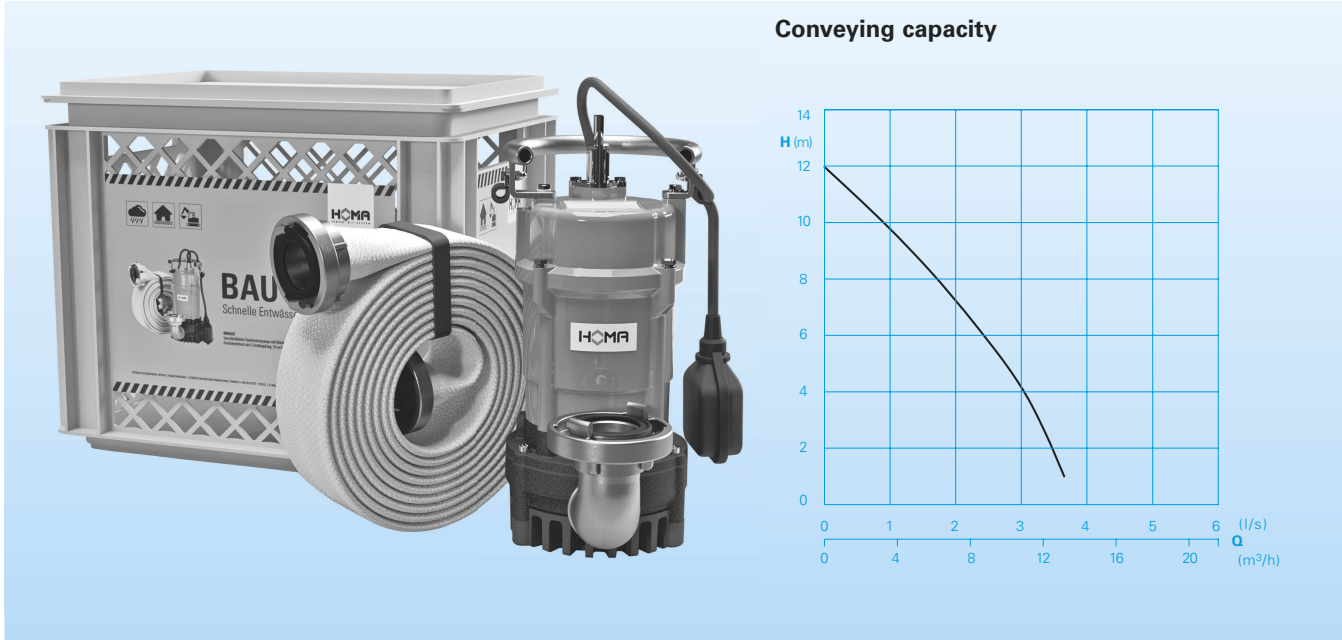


Complete set for
quick drainage of construction sites

BAU-BOX R



Application

Pump for conveying clean or soiled water, also containing abrasive sand or sludge. This series is also equipped with a stainless steel mixer head to enable a strong pumping effect with muddy and greasy media. Application areas are e.g. cellar draining, water table drawdown, drainage of construction sites or shafts, application on board ships, emergency deployment for flooding etc.

Easy handling:

The robust plastic box, ready for connection, can complete the basic equipment of the construction site vehicle. With 10 m connection cable with power plug and 10 m fabric hose with C-coupling, the Bau-Box box R is quickly ready for use.

Installation: Stationary or mobile.

Version with float switch for use as automatic water level controlled drainage pump.

Pumped medium: Clear- and drainage water with abrasive sand or mud additives, max. temperature of pumped medium: 40°C

Operating mode: Continuous operation (S1).

Technical data

Type	Motor input P ₁ (kW)	P ₂ (kW)	Voltage 50 Hz (V)	Nominal current (A)	Discharge	Weight (kg)
Bau-Box R	0,70	0,40	230/1Ph	3,0	R1 1/2	19,1

Rotational speed: 2850 rpm

Pump design

Fully submersible motor pump, consisting of:

Pump: Single stage centrifugal pump with low situated discharge.

Impeller: Vortex impeller

Motor: Pressure watertight, medium-immersed motor, Insulation class F, Protection rating IP 68. Cable connection chamber totally isolated from motor housing. Thermal sensor for temperature monitoring in the winding. Connecting cable: H07RN8-F3G1

Shaft/bearing: strongly dimensioned chrome steel shaft, lifetime-lubricated roller bearings.

Seal: Shaft seal combined with a double action mechanical seal in oil bath.

Materials

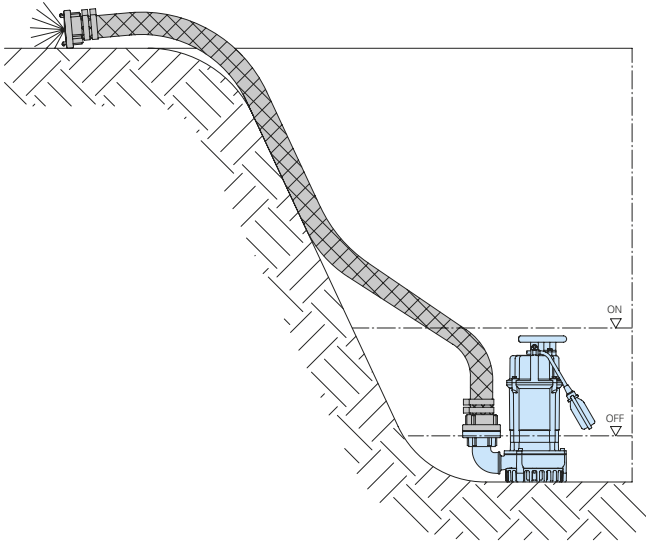
Carrying cage	Polypropylene
Motor housing, motor bearing housing, motor housing cover	Aluminium
Motor shaft, screws	Stainless steel
Impeller	Cast iron GJS
Pump housing	Cast iron GJL
Suction sieve	Rubber
Shaft seal	Shaft sealing ring NBR+ double action mechanical seal Ceramic/Coal/SIC
Elastomers	NBR

Scope of supply

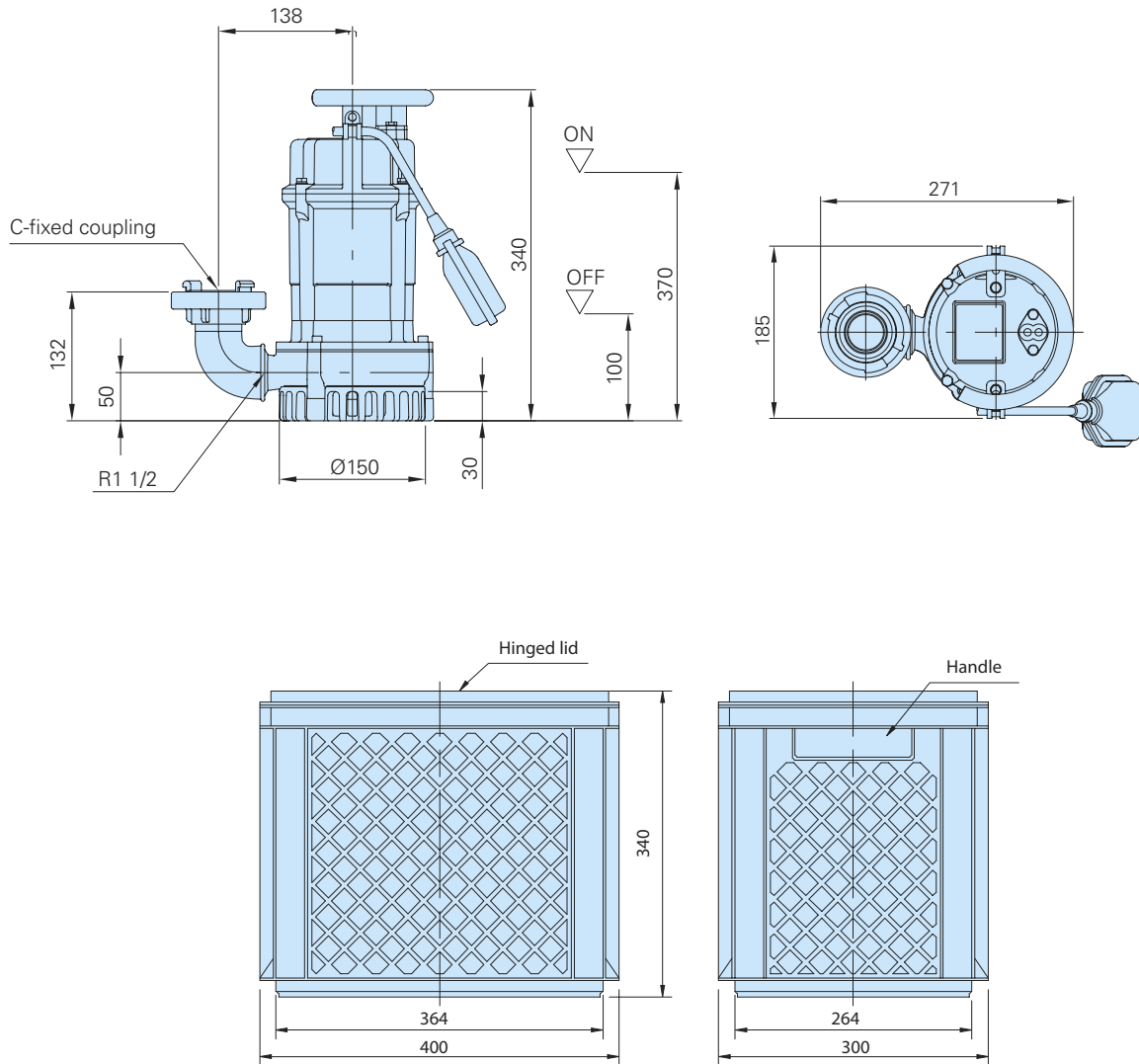
- Pump type HBPR504 WA with float switch, quick lock for mounting of the pump, discharge with C-fixed coupling and 90°C connection bend, 10 m connecting cable with mains plug
- 10 m of fabric hose 50 mm with C-coupling
- Carrying cage for transport, storage and as a prefilter when operating the pump

Type	Part no.
Bau-Box R	9115004

Installation example



Dimensions (all dimensions in mm)



We reserve the right to alter our specifications without notice!