

# SEWAGE VORTEX N

submersible pump for  
sewage water



waste water



domestic use

SEWAGE  
VORTEX N

**Max Head** 7 - 14m

**Max Flow** 9.6 - 30m<sup>3</sup>/h

**Motor Power** 0,15 - 1,5Kw

**Discharge size** G1¼ F/G2F



## KEY ADVANTAGES OF A VORTEX N PUMP

### APPLICATION

Vortex N series pumps are suitable for pumping drainage water and waste water. With 30 up to 50 mm spherical clearance. They are used for various applications in public and private sector, trade and industry.

### INSTALLATION

Permanent or transportable. Model with float switch control for automatic pump operation, depending on liquid level in the sump.

### MATERIALS

Double seals, lip seals and reinforced carbon ceramic mechanical seal. Motor casing in stainless steel, 304 stainless steel or cast iron open impeller, pump body in cast iron, 420 stainless steel shaft.

### PUMPED LIQUID

Clear water and drainage water, sewage containing soft solids. Max. liquid temperature: 35°C.

### MOTOR

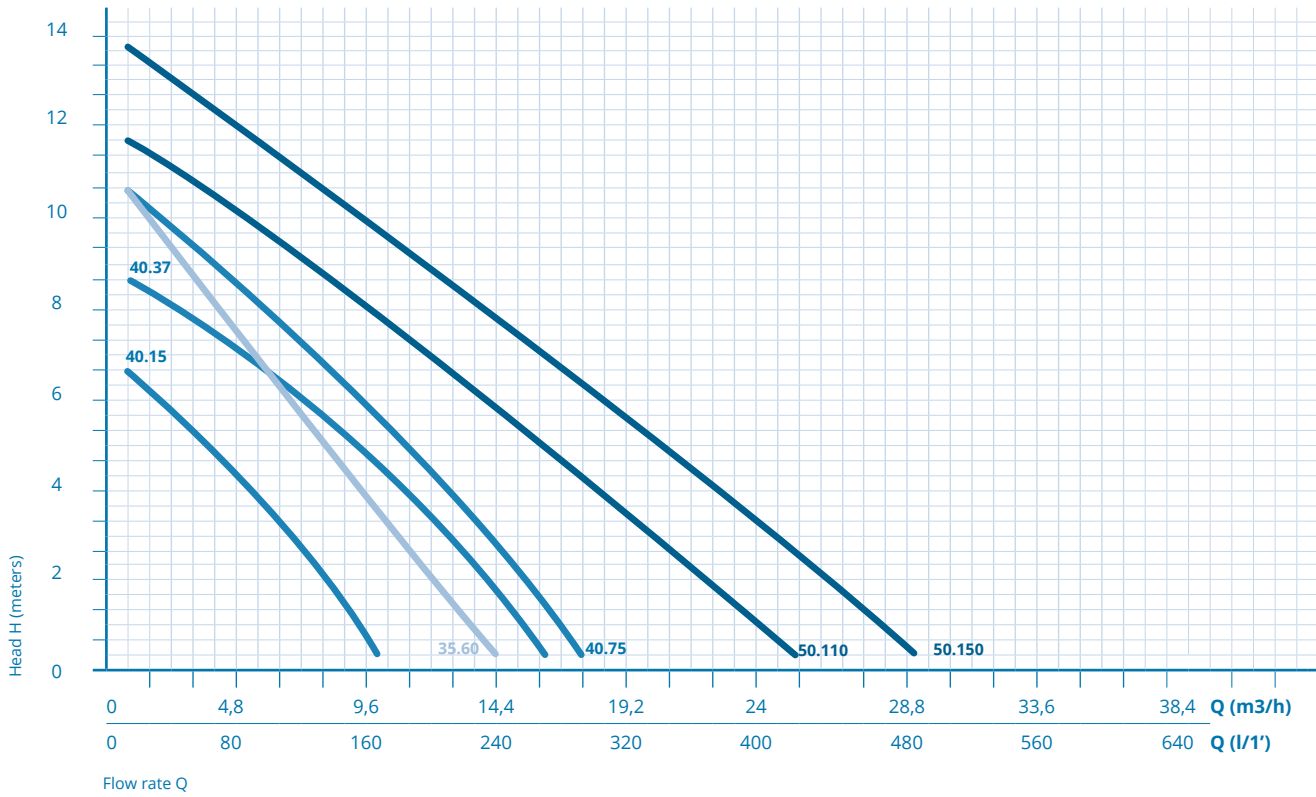
Fully submersible, pressure tight electric motor. Stainless steel motor- and pump housing. Insulation class F. Motor protection IP 68. Thermal sensors imbedded in the motor winding.

### FEATURES

Power cable: 10 m neoprene.  
Immersion depth of 10 m.

# CHARACTERISTIC CURVES AND PERFORMANCE DATA

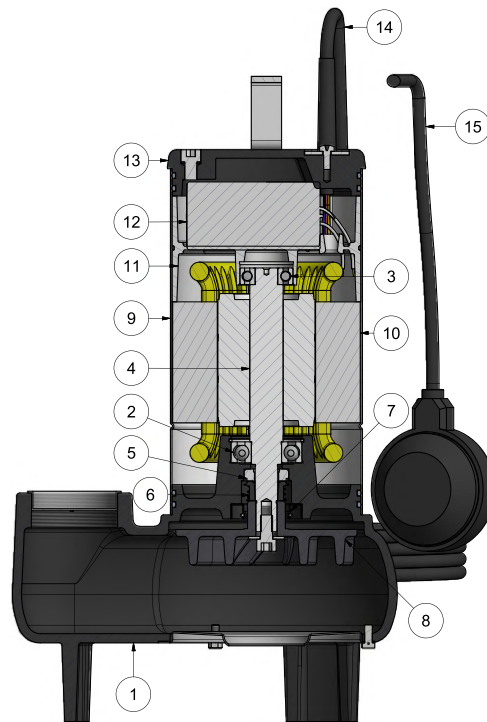
50 Hz



SEWAGE  
VORTEX N

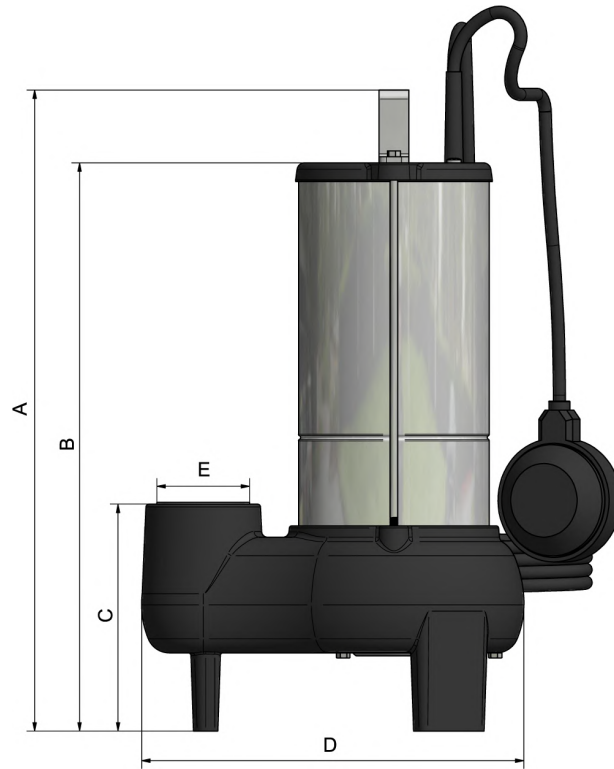
TYPE	POWER kW	MOTOR			PORT		Q m³/h l/min	0	1,5	3	4,5	6	7,5	10,5	12	15	18	21	24	27	30	
		1~ A	3~ µF	3~ A	Ømm	DN		0	25	50	75	100	125	175	200	250	300	350	400	450	500	
<b>N 35.60</b>	0,6	5,2	16	1,4	33	1"¼		11	10	8,8	7,6	6,5	5,3	3,2	2,2	0,2						
<b>N 40.15</b>	0,15	2	12	1	30	1"½		7	6,3	5,5	4,7	3,9	3	1,1								
<b>N 40.37</b>	0,37	3,4	16	1,3	30	1"½	H - meters	9	8,5	8	7,4	6,8	6,1	4,6	3,7	1,8						
<b>N 40.75</b>	0,75	6,4	20	2,6	35	1"½		11	10,2	9,5	8,8	8	7,2	5,4	4,5	2,5	0,4					
<b>N 50.110</b>	1,1	9,0	35	3,0	50	2"		12	11,9	11,2	10,5	9,8	9,1	7,7	6,9	5,5	4,1	2,6	1,1			
<b>N 50.150</b>	1,5	9,4	40	3,7	50	2"		14	13,6	12,9	12,1	11,3	10,6	9,1	8,4	7	5,6	4,2	2,9	1,5	0,3	

## COMPONENTS AND MATERIALS



POS	COMPONENT	MATERIALS
1	Body Vortex Pump	Cast Iron
2	Bearing	Steel
3	Bearing	Steel
4	Rotor / Shaft	Steel and Aluminium / Stainless Steel
5	Mechanical Seal Fixe	Nitrile Rubber / Ceramics
6	Mechanical Seal Mobile	Graphite Steel
7	Lip Seals	Nitrile Rubber
8	Impeller	Cast Iron
9	Motor Casing	Stainless Steel
10	Stator	-
11	Top Engine Support	Aluminium
12	Capacitor	-
13	Pump Cover	-
14	Power Cable	Neoprene
15	Float	Neoprene / Plastic

## DIMENSIONS AND WEIGHT



SEWAGE  
VORTEX N

TYPE	DIMENSIONS (mm)						WEIGHT Kg	PALETTE Un
	A	B	C	D	ØE	Ø (passage)		
N 35.60	331	281		211	1" ¼	33	10,5	
N 40.15	315	265	111	213		30	9,8	
N 40.37	325	275			1" ½		10	75
N 40.75	354	304	123	220		35	11,5	
N 50.110	427	379					17,0	
N 50.150	437	389	151	255	2"	50	19,0	54